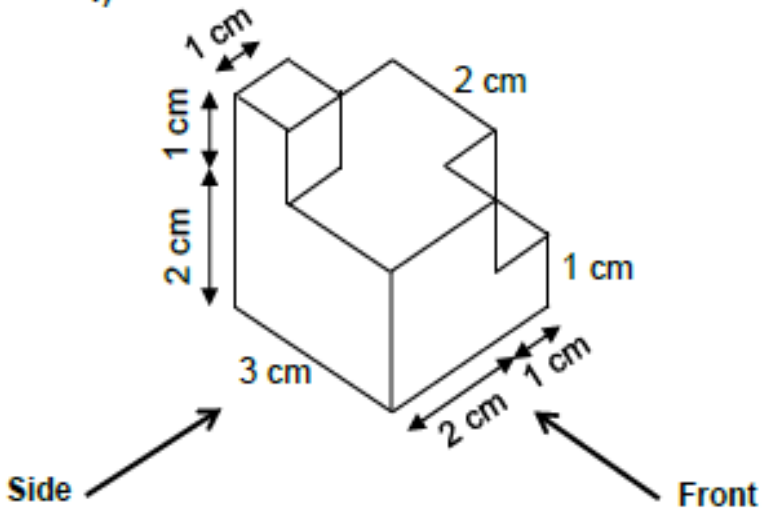


# 3D Shapes Worksheet 6

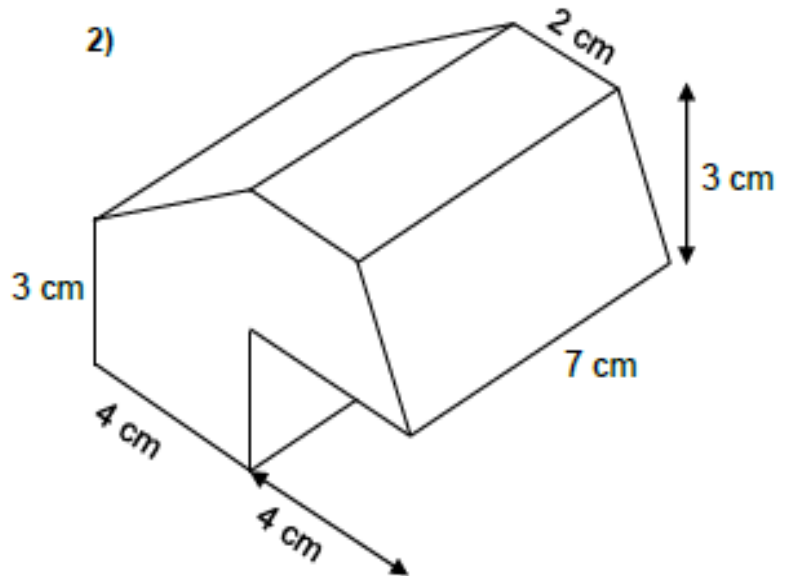


Draw the plan, side elevation and front elevation for the following 3D objects.

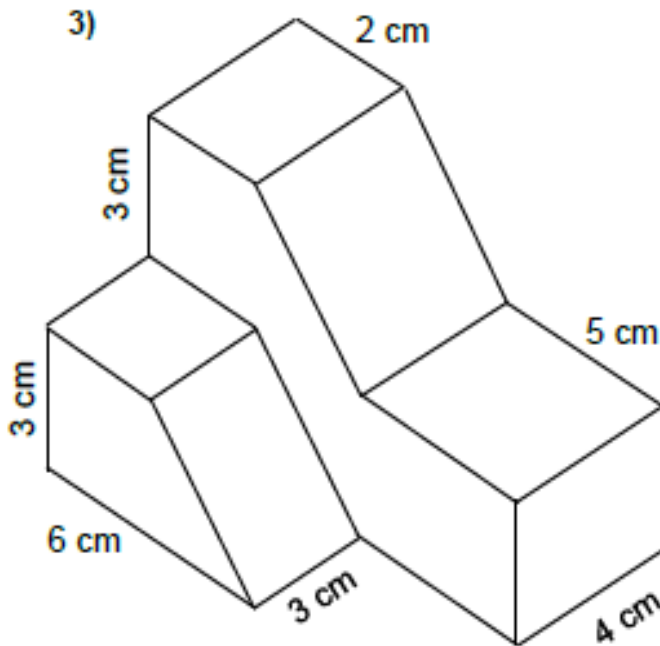
1)



2)



3)



£1.00